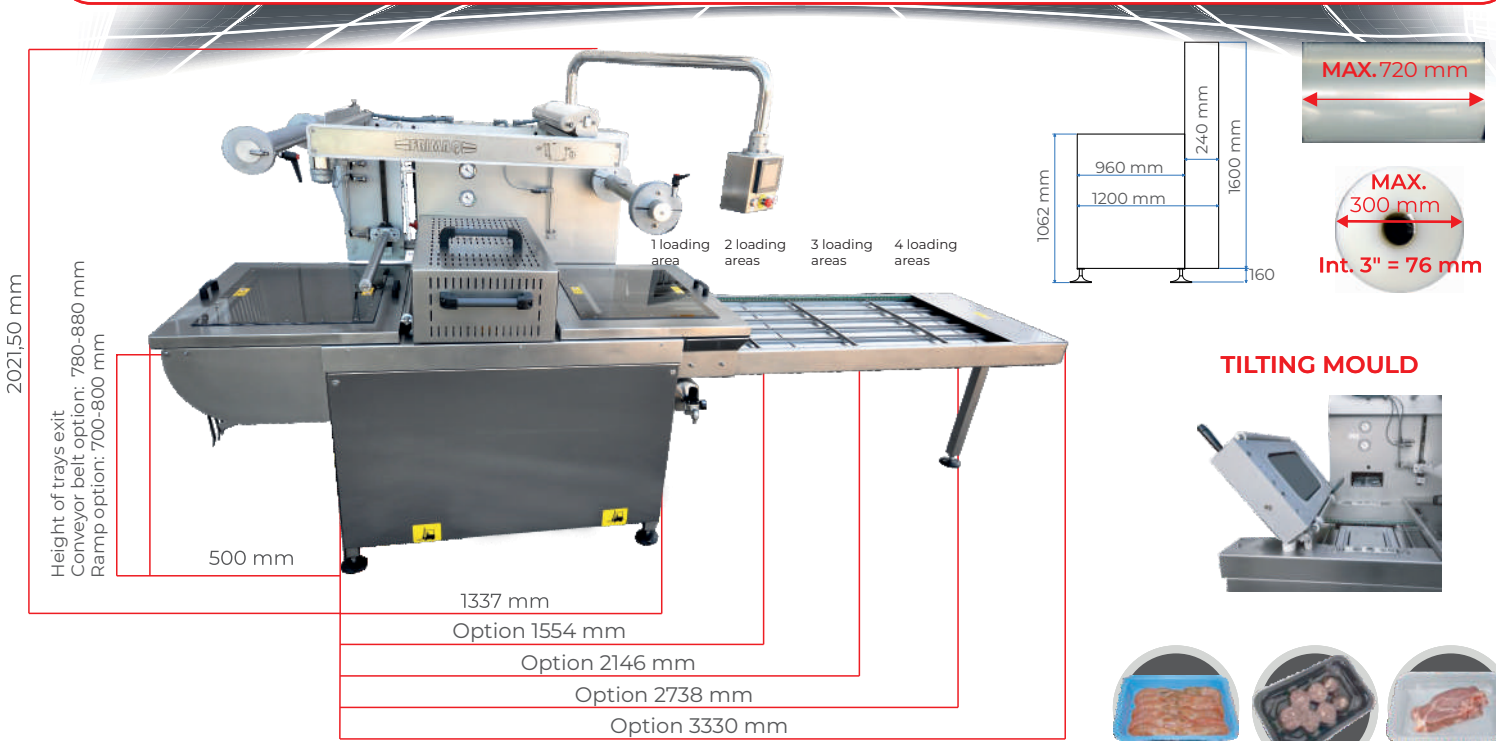


TRAYSEALER TSA 826 SKIN +0 · SKIN +20

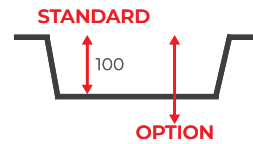
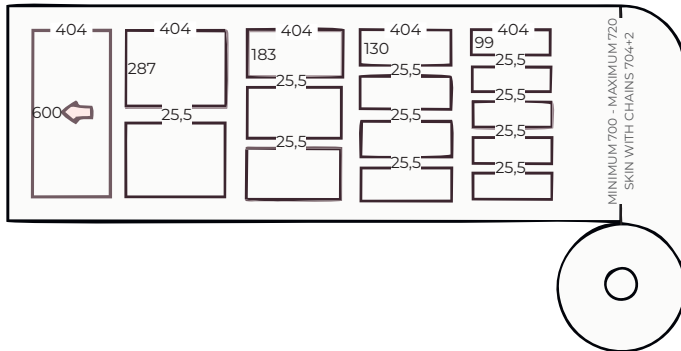


TILTING MOULD



MAXIMUM TRAYS SIZE

TSA 826



SKIN +20 TRAY SKIN

SKIN +20



SKIN MOULDS



2 TRAYS
1/2 GN



3 TRAYS
1/4 GN



4 TRAYS
1/8 GN



FEATURES:

- Colour touchscreen panel 5.7".
- Structure in stainless steel aisi 304.
- Vacuum by mbars and time, or both.
- Capacity for 2 1/2 gn trays.
- Capacity for 3 1/4 gn trays.
- Capacity for 4 1/8 gn trays.
- Film dragging by two synchronized motors.
- Mould adaptation chosen by the customer.
- Replaceable rings to adapt the tray to every manufacturer.
- Film progress mode: by lenght-by printed stain.
- Trays dragging by stainless steel rods and dragged by chains.
- Power: 6-11 kw (according to the pumps).