



Vacuum packers  
swing double  
chamber models

# VP-700TB- 100

*Industrial vacuum  
packer machines  
designed for large  
productions*



## Technical Information

- Entirely made in stainless steel.
- Stainless steel lid.
- Manual lid's opening system.
- Double sealing.
- Soft air.
- Gas flushing entrance.
- Vacuum and gas controlled by sensor.
- Digital panel with 99 memory positions.
- Pneumatic sealing bars wireless.
- Inlet plates for height adjustment of the vacuum chamber.
- Easy maintenance.
- 100m<sup>3</sup>/h Busch pump.

## Options

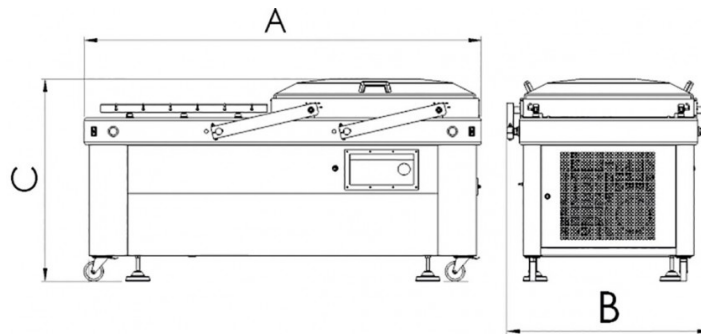
- Independent sealing control & bag cut off.





## Measures

A	1,590 mm.
B	710 mm.
C	1,000 mm.



## Control panels

### Sensor control panel with gas



- Digital control panel.
- Vacuum control by sensor.
- Gas flushing entrance control by sensor.
- Sealing time regulation.
- Soft-Air.
- VAC-STOP push button, finish the vacuum and continue the process.
- VAC+ push button, additional vacuum time.
- Maintenance push button control.
- 99 memory positions.
- Monitoring step by step of the cycle through led.

## Combinations of welding rods

### VP-700TB-100 AA

