



Vacuum packers
swing double
chamber models

VP-1100

TBA 300

*Industrial vacuum
packer machines
designed for large
productions*

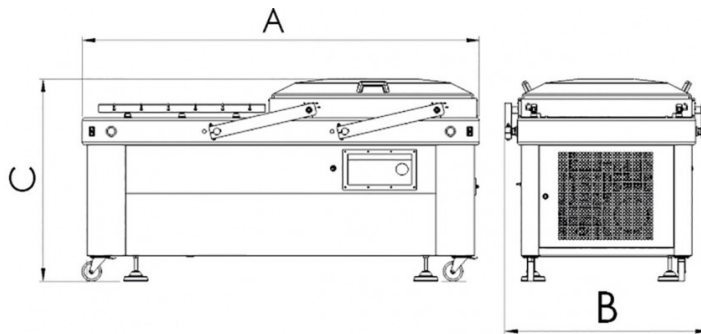


- Entirely made in stainless steel.
- Stainless steel lid.
- Automatic or semiautomatic lid's opening system.
- Double sealing.
- Soft air.
- Gas flushing entrance.
- Vacuum and gas controlled by sensor.
- Digital panel with 99 memory positions.
- Pneumatic sealing bars wireless.
- Inlet plate for height adjustment of the vacuum chamber.
- Easy maintenance.
- 302m³/h. Busch pump..
- Independent sealing control & bag cut off.



Measures

A	2,530 mm.
B	1,250 mm.
C	1,150 mm.



Control panels

Sensor control panel with gas





Combinations of welding rods

VP-1100 TBA 300

